



2900 Sencore Drive, Suite 100, Sioux Falls, SD 57107
 Phone: 605-334-2924 / Fax: 605-334-4713
 Email: info@socket-two-me.com

Abridged Application Index

Bill of Materials	Page 1
Self-Contained Socket	Diagram G1
Transformer-Rated Socket	Diagram G2

Service Type	Self-Contained with VT Pack	Transformer-Rated with VT Pack
	Diagram #	
4 wire Wye (480/277 or 416/240)	1	3A
4 wire Delta (480/240)	6	8A
4 wire Delta (480/240) w/ Form 45S		8AB45
3 wire Delta (480)	10	12A
3 wire Delta (480) w/ Form 5S		12AB5
3 wire Delta (480)		12AB
3 wire Network (480/277)	15	17A
3 wire 1 phase (480/240)	20	22A
Wiring Harness / VT Pack	Last Page	

Diagrams for additional applications available.
 Please contact your Two Sockets - Two Meters distributor.



Bill of Materials for Abridged Application Index

2900 Sencore Drive, Suite 100, Sioux Falls, SD 57107
 Phone: 605-334-2924 / Fax: 605-334-4713
 Email: info@socket-two-me.com

Diagram #	Needed Two Sockets - Two Meters Materials to complete installation	Two Sockets - Two Meters Material Catalog Numbers
1, 15	VT Pack 200 amp, 13 terminal socket OR 200 amp 13 terminal socket block ** Form 9S, Class 200 (320) wide voltage range electronic meter	6004824 or 6003012* TS-SCH-1 OR TS-SCB-1 Various manufacturers
6, 10, 20	VT Pack 200 amp, 13 terminal socket OR 200 amp 13 terminal socket block ** Form 9S, Class 200 (320) wide voltage range electronic meter Aux. power harness (Dia. 10B only)	6004824 TS-SCH-1 OR TS-SCB-1 Various manufacturers WH-AUX-1
3A, 17A	VT Pack 13 terminal TR socket w/ wiring harness OR Prewired TR socket w/ lever bypass OR Prewired TR socket with test switch Form 9S, Class 20 wide voltage range electronic meter OR Form 9S, Class 20, 120V electronic meter when used with 6003012 VT Pack	6004824 or 6003012* TS-ITH-1 & WH-STD-6 OR TS-TR-L-1 (13 terminal) OR TS-PTS-13 (13 terminal) Various manufacturers OR Various manufacturers
8A, 12A, 22A	VT Pack 13 terminal TR socket w/ wiring harness OR Prewired TR socket w/ lever bypass OR Prewired TR socket with test switch Form 9S, Class 20 wide voltage range electronic meter Aux. power harness (Dia. 12AB only)	6004824 TS-ITH-1 & WH-STD-6 OR TS-TR-L-1 (13 terminal) OR TS-PTS-13 (13 terminal) Various manufacturers WH-AUX-1
8AB45, 12AB5	VT Pack 8 terminal TR socket Wiring harness Aux. Power harness (Dia. 12AB5 only) Form 45S (Dia. 12AB5 can also be used with Form 5S), Class 20 wide voltage range electronic meter	6004824 Various manufacturers WH-STD-6 WH-AUX-1 Various manufacturers

* 480/277 applications ONLY

** For retrofitting existing socket. Kit#CK-ST-1 needed to mount VT Pack on socket exterior.

Bills of Material available for additional applications.
 Please contact your Two Sockets - Two Meters distributor.

REVISED 3-27-2002
 Page 1

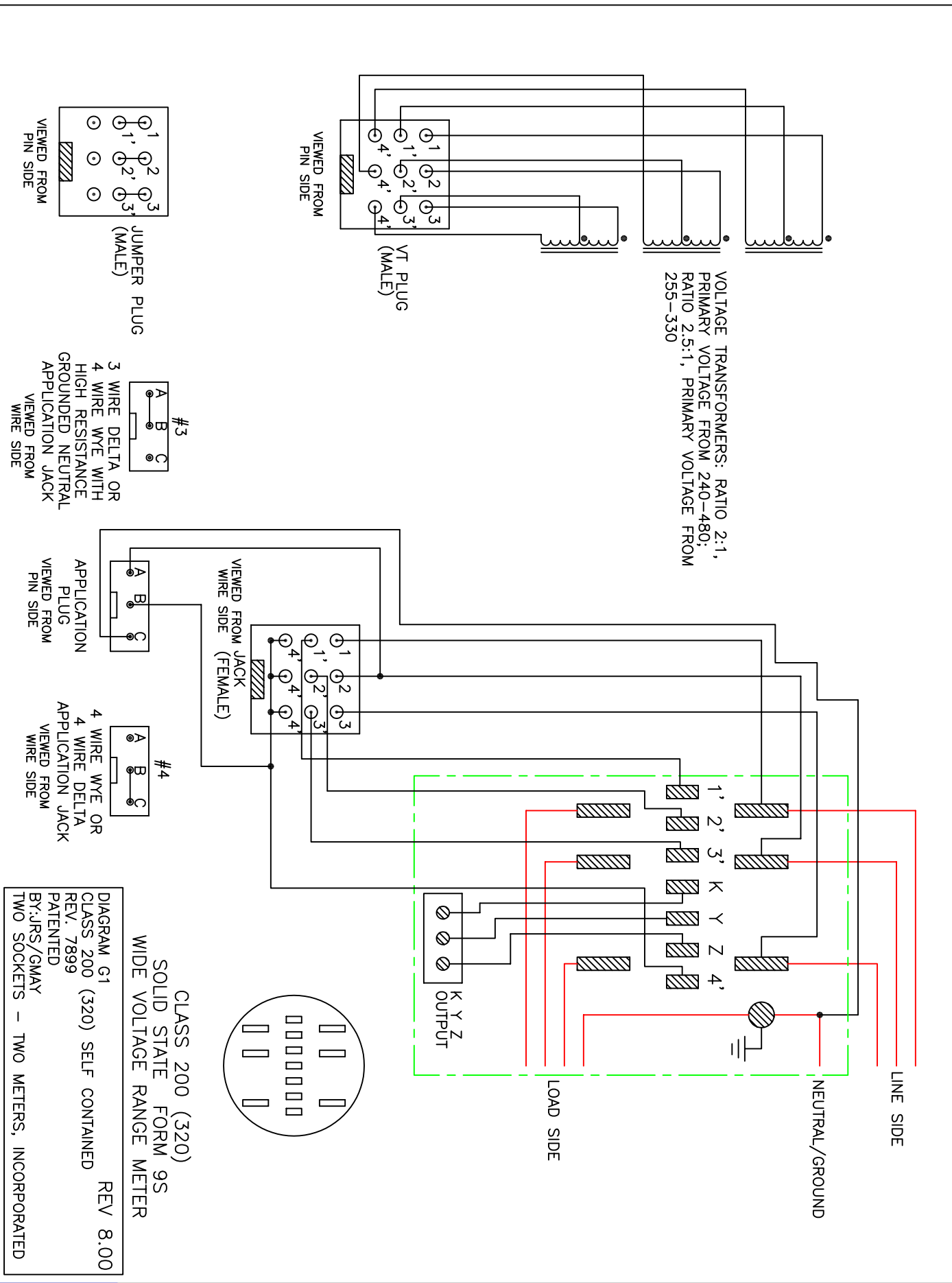
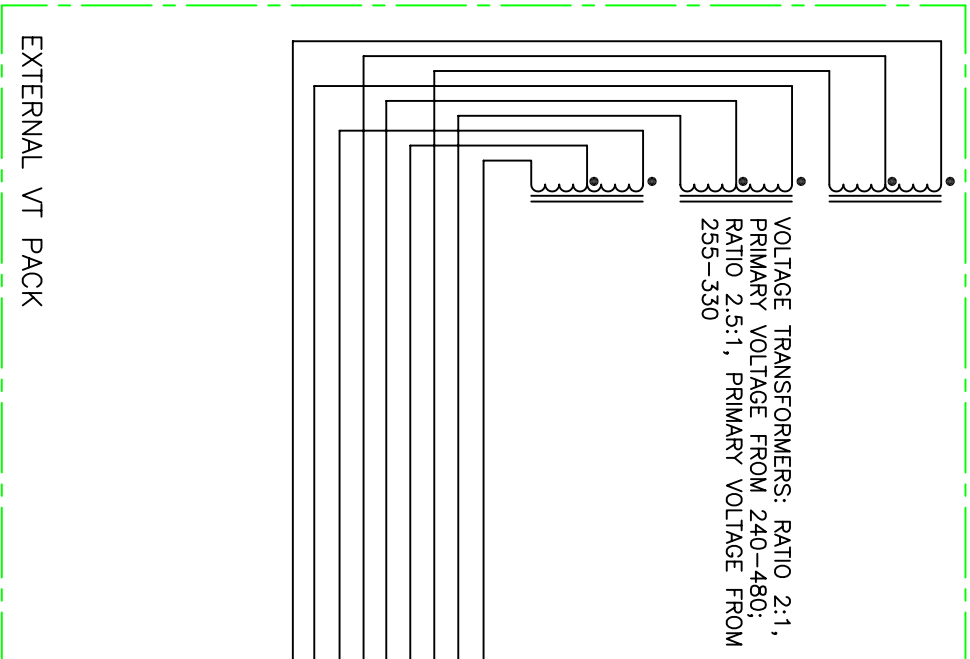
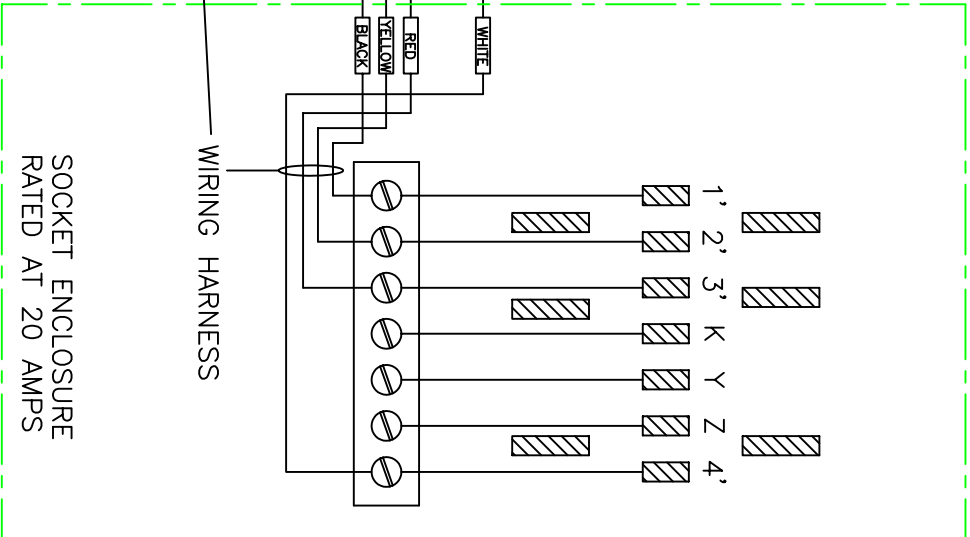
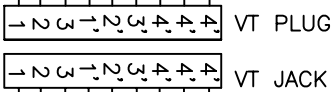


DIAGRAM G1



EXTERNAL VT PACK

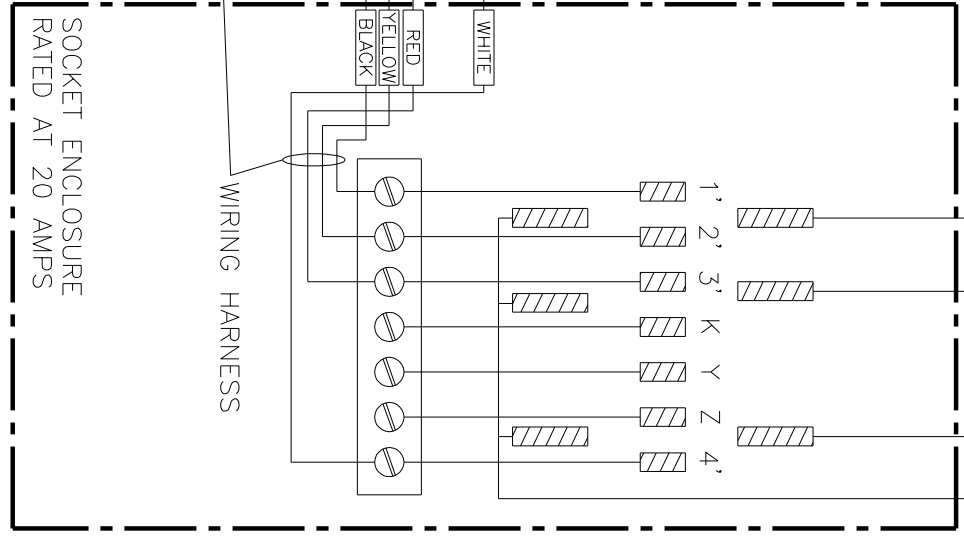
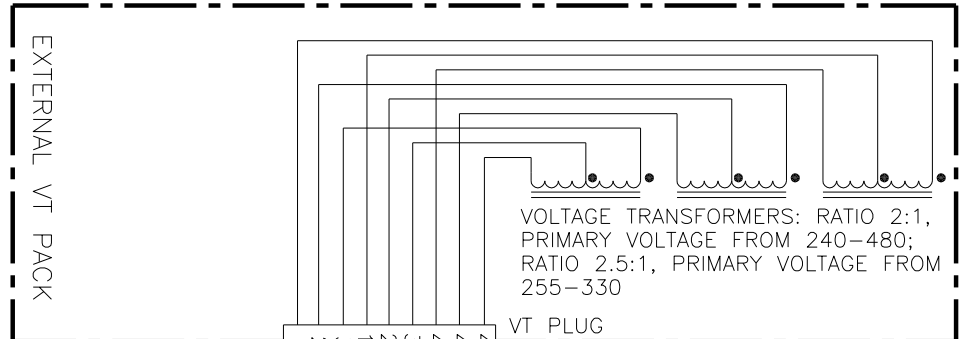
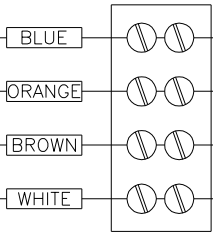
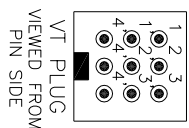
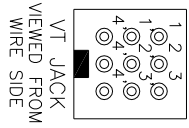
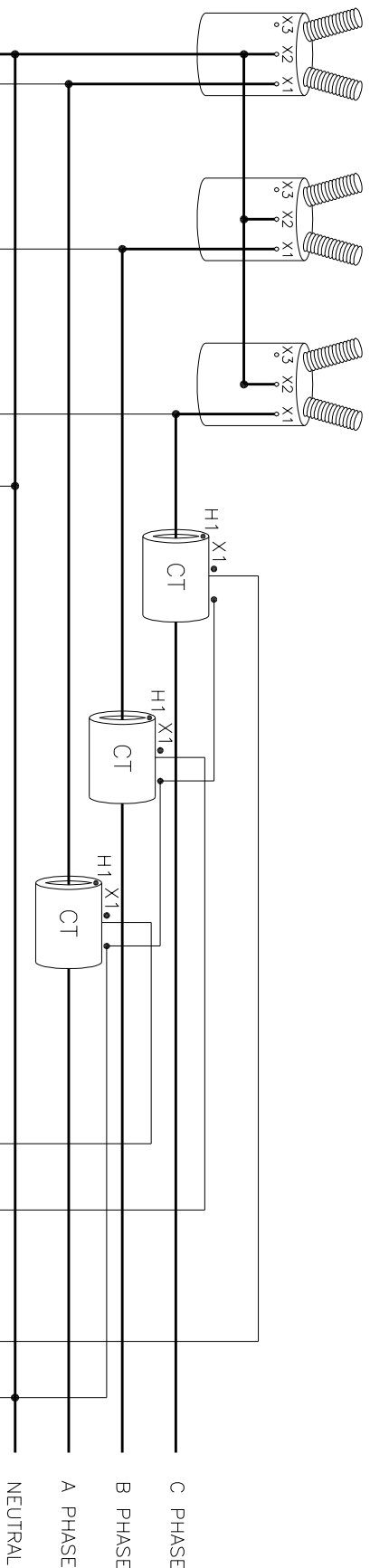


SOCKET ENCLOSURE
 RATED AT 20 AMPS

WIRING HARNESS

FORM 9S, CLASS 20, WIDE VOLTAGE
 RANGE ELECTRONIC METER WHEN USED
 WITH 6004824 OR 6003012 VT
 PACKS™. FORM 9S, CLASS 20, 120
 VOLT ELECTRONIC METER ONLY WHEN USED
 WITH 6003012 VT PACK.

DIAGRAM G2 REV 8.00
 CLASS 20 TRANSFORMER RATED
 REV 7899
 PATENTED
 BY:JRS/GMAY
 TWO SOCKETS - TWO METERS, INCORPORATED

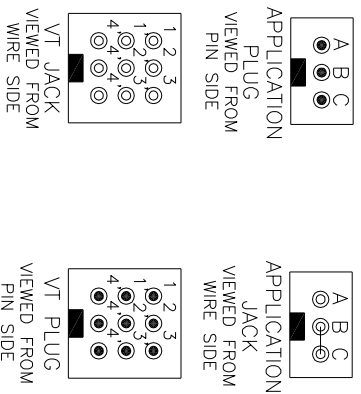
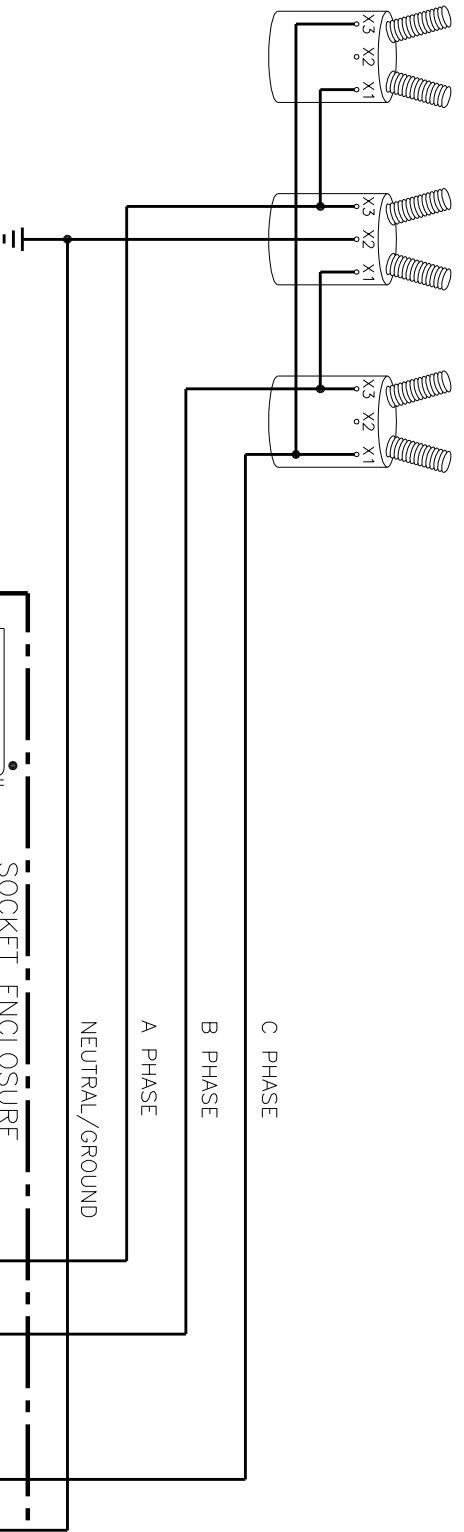


SEE PAGE 1 FOR BILL OF MATERIALS
 SERVICE IS 4 WIRE WYE, WITH VT'S
 480/277; 416/240

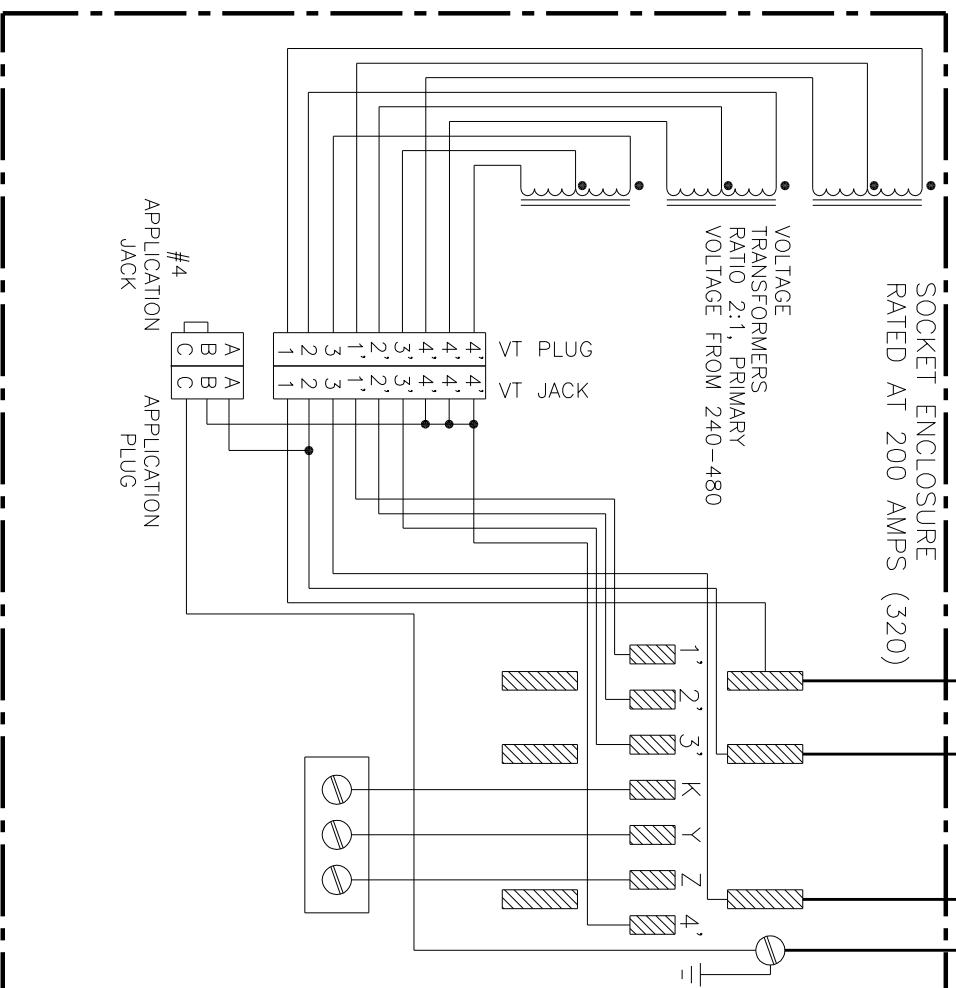
DIAGRAM 3A REV. 8.03
 TWO SOCKETS-TWO METERS, INC.
 CLASS 20 FORM 9S WIDE VOLTAGE
 RANGE ELECTRONIC METER
 REV. 1607
 DRAWN BY: JRS
 CHECKED BY:

PATENTED

4 WIRE WYE
 DIAGRAM 3A



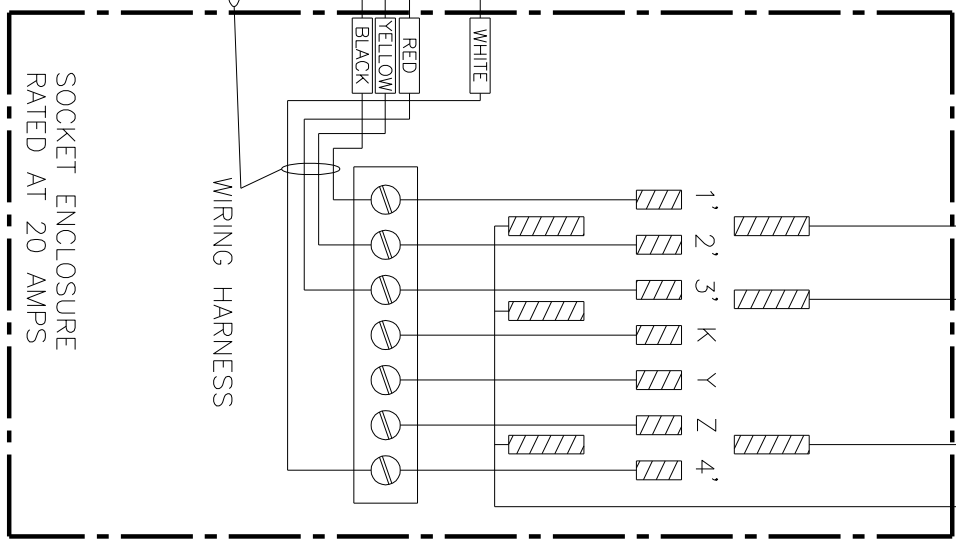
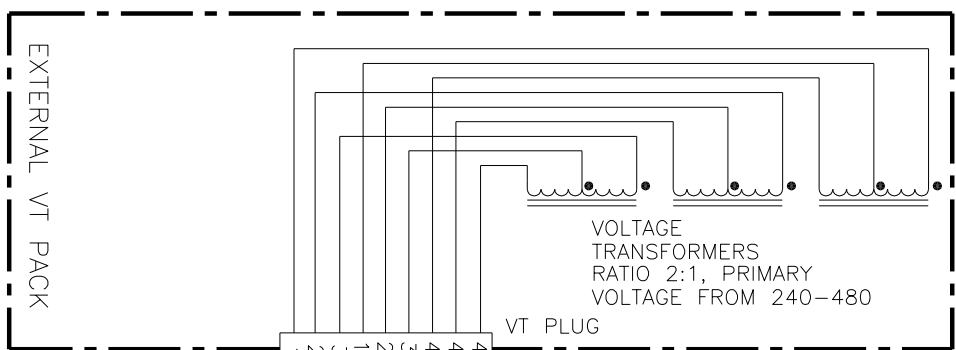
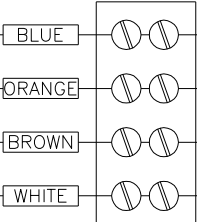
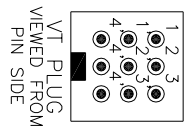
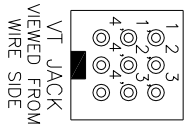
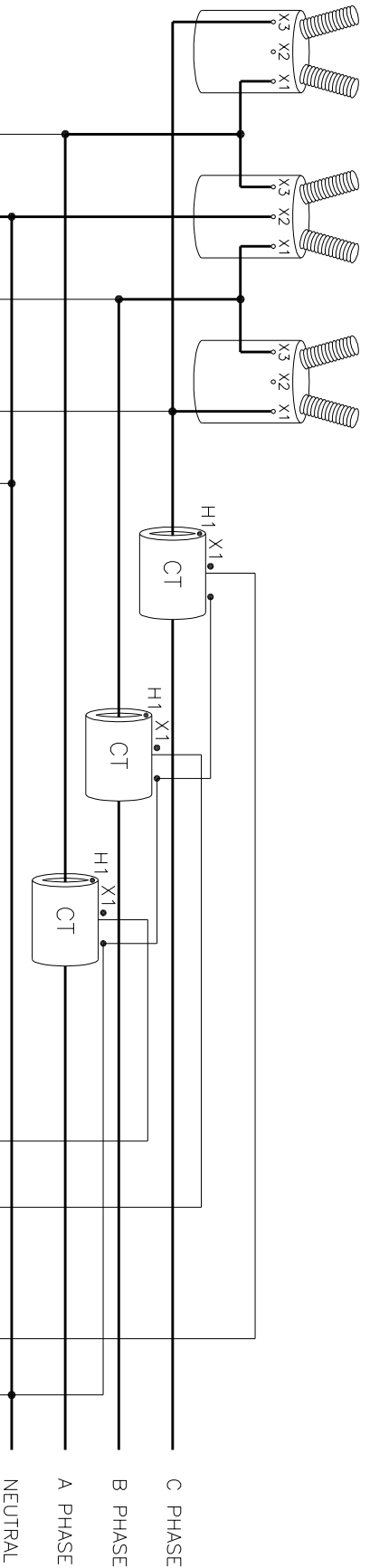
SEE PAGE 1 FOR BILL OF MATERIALS
 SERVICE IS 4 WIRE DELTA, WITH VT'S
 480/240



REV. 8.03
 TWO SOCKETS-TWO METERS, INC.
 CLASS 200 (320) FORM 9S
 WIDE VOLTAGE RANGE ELECTRONIC
 METER
 REV. 1607
 DRAWN BY: JRS
 CHECKED BY:
 PATENTED

LOAD SIDE CONDUCTORS OMITTED FOR CLARITY

4 WIRE DELTA
 DIAGRAM 6



SEE PAGE 1 FOR BILL OF MATERIALS
 SERVICE IS 4 WIRE DELTA, WITH VT'S
 480/240

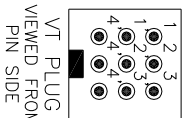
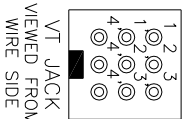
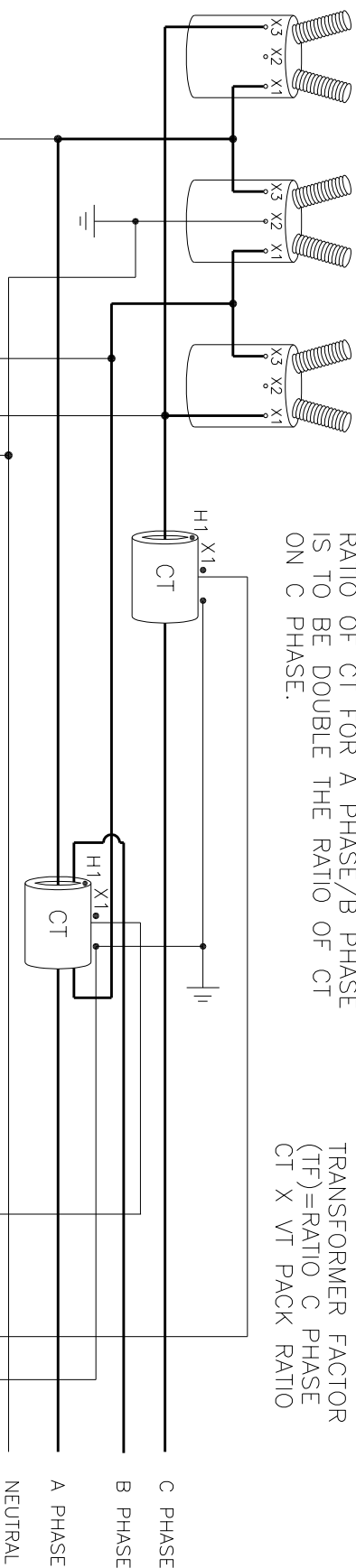
DIAGRAM 8A REV. 8.03
 TWO SOCKETS-TWO METERS, INC.
 CLASS 20 FORM 9S WIDE VOLTAGE
 RANGE ELECTRONIC METER
 REV. 1607
 DRAWN BY: JRS
 CHECKED BY:

PATENTED

4 WIRE DELTA
 DIAGRAM 8A

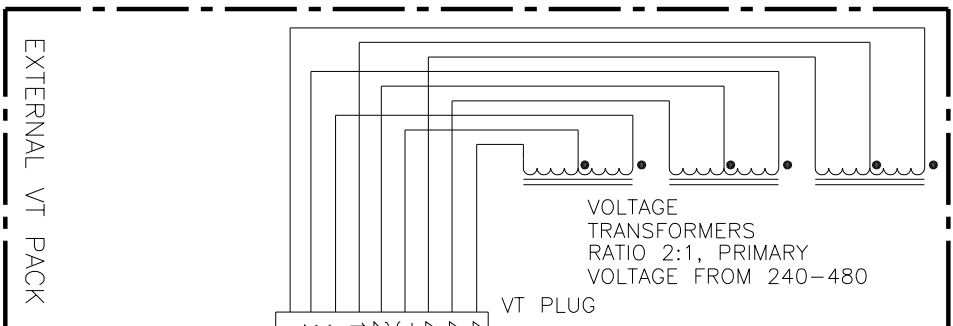
RATIO OF CT FOR A PHASE/B PHASE IS TO BE DOUBLE THE RATIO OF CT ON C PHASE.

TRANSFORMER FACTOR (TF) = RATIO C PHASE CT X VT PACK RATIO

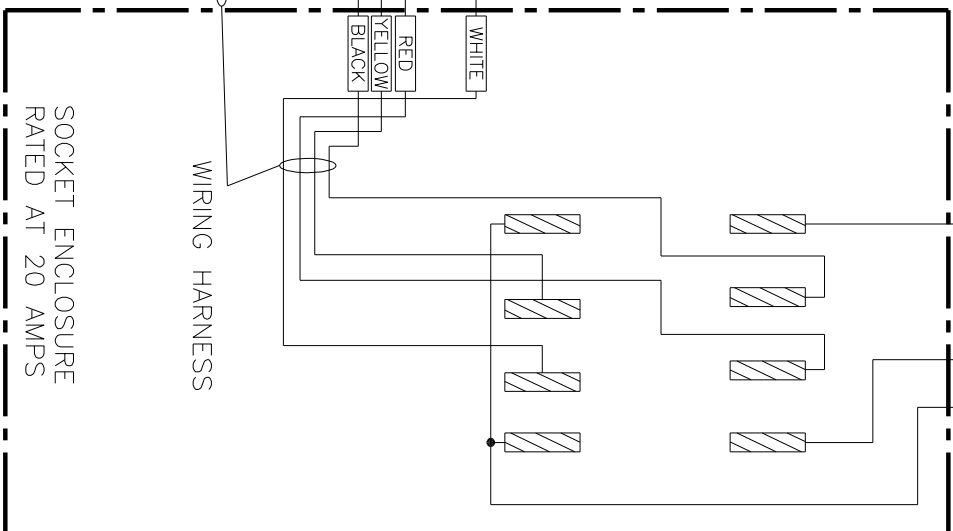


SERVICE IS 4 WIRE DELTA, WITH VT'S
480/240

BLUE
ORANGE
BROWN
WHITE



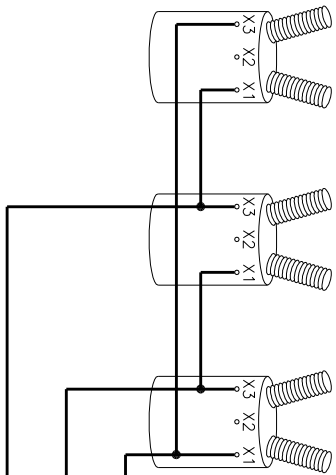
VT PLUG
VT JACK



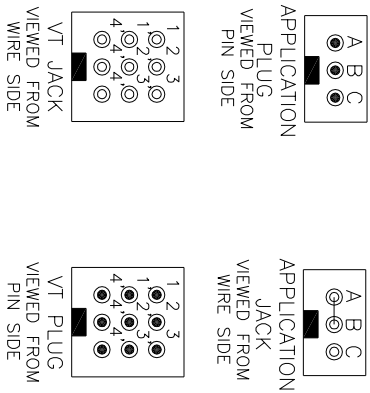
4 WIRE DELTA
FORM 455
DIAGRAM 8AB45

REV. 8.11S
TWO SOCKETS-TWO METERS, INC.
CLASS 20 FORM 45S WIDE VOLTAGE
RANGE ELECTRONIC METER
REV. 1607
DRAWN BY: JRS
CHECKED BY:

PATENTED

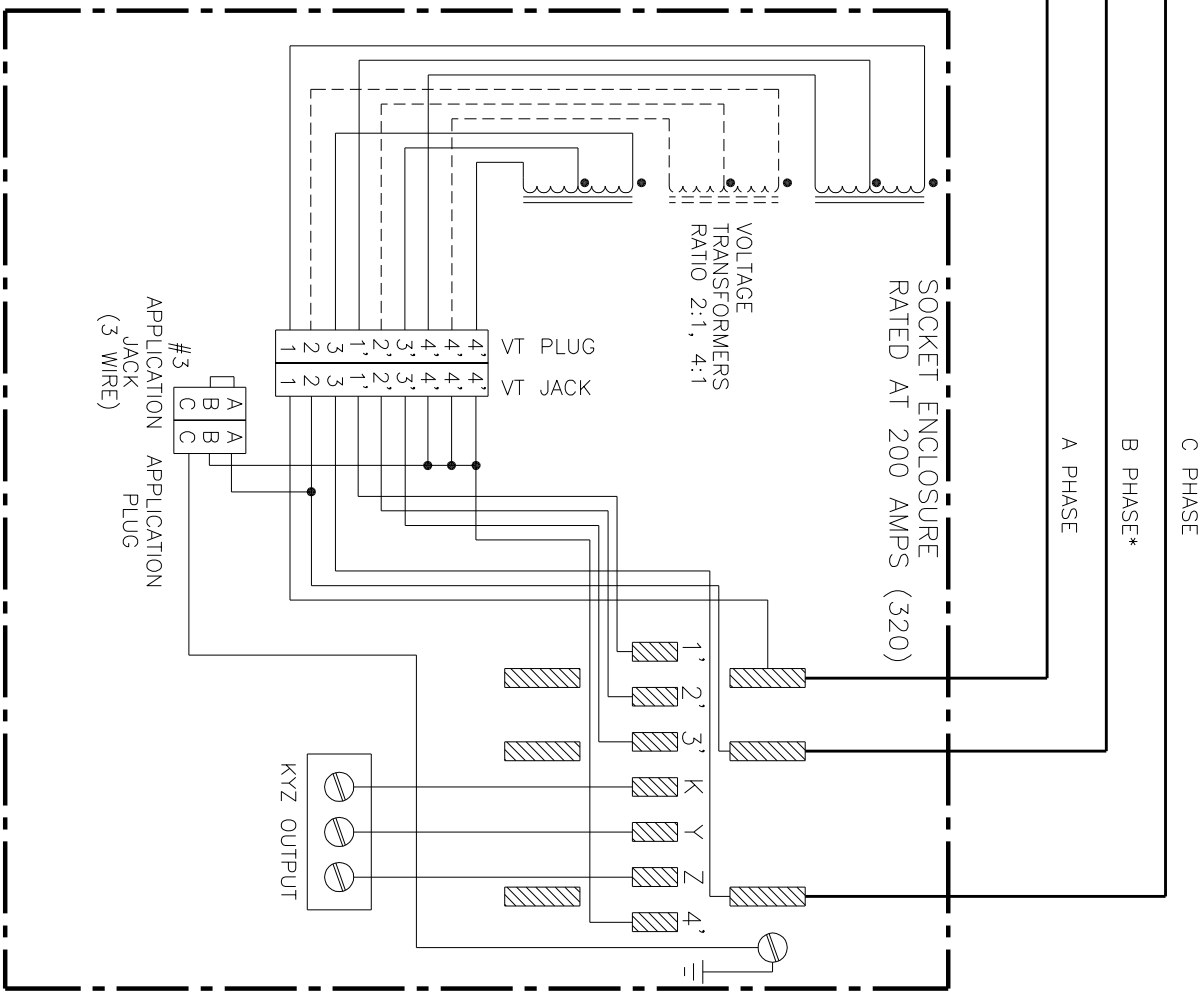


*IF SERVICE HAS A CORNER GROUND, THE GROUNDED CORNER MUST BE THE PHASE CONNECTED TO THE MIDDLE CURRENT JAW IN THE SOCKET.



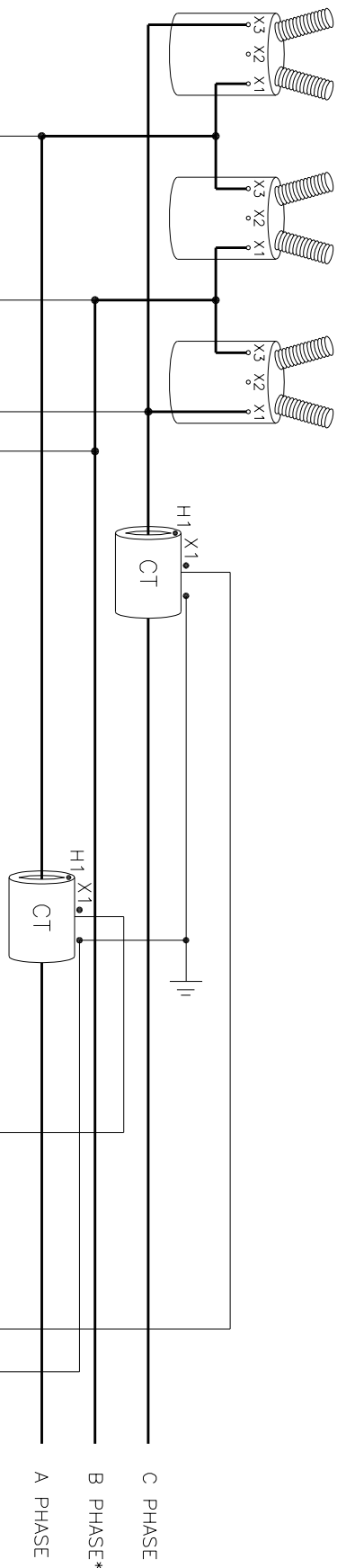
SEE PAGE 1 FOR BILL OF MATERIALS
 SERVICE IS 3 WIRE DELTA*, WITH VT'S 480

DIAGRAM 10 REV. 8.01
 TWO SOCKETS—TWO METERS, INC.
 CLASS 200 (320) FORM 9S
 WIDE VOLTAGE RANGE ELECTRONIC
 METER
 REV. 7899
 DRAWN BY: JRS
 CHECKED BY:
 PATENTED

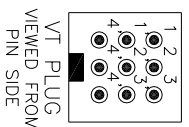
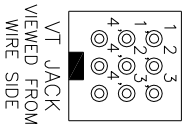


LOAD SIDE CONDUCTORS OMITTED FOR CLARITY

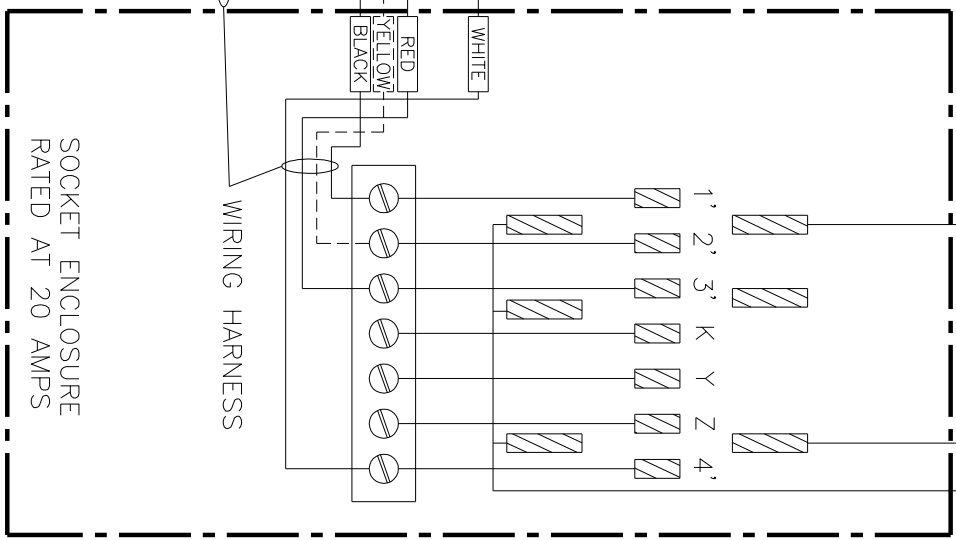
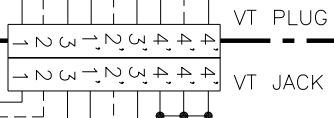
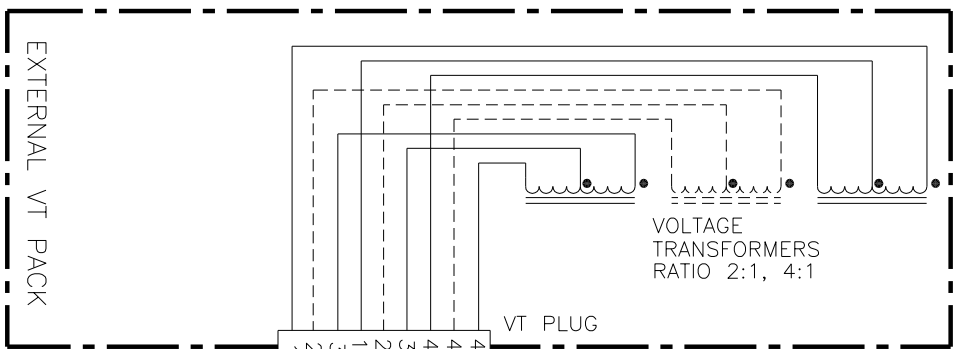
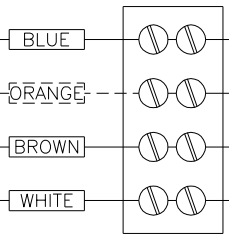
3 WIRE DELTA
 DIAGRAM 10



* IF SERVICE HAS A CORNER GROUND, THE GROUNDED CORNER MUST BE THE PHASE WITHOUT THE CURRENT TRANSFORMER.



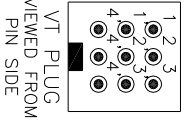
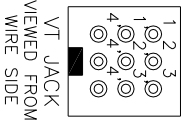
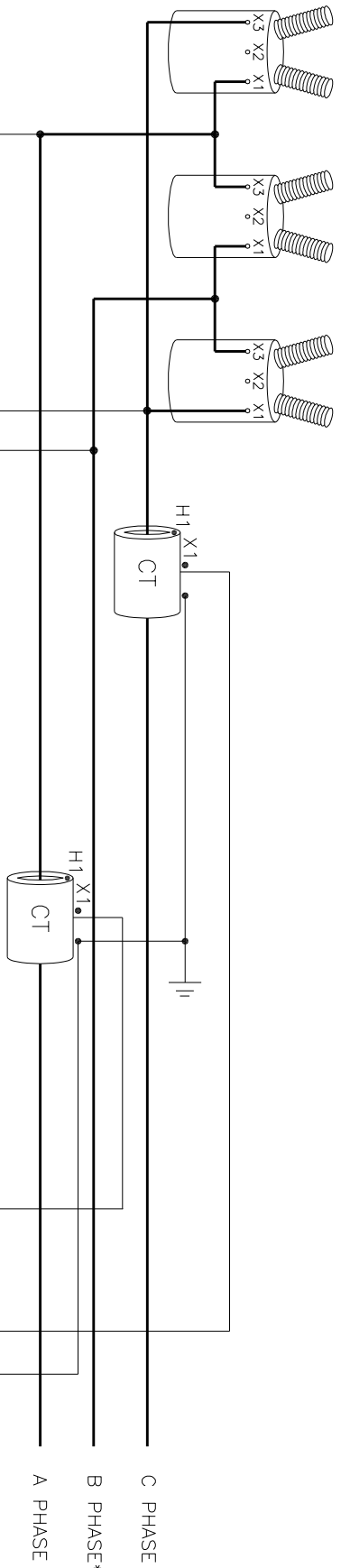
SEE PAGE 1 FOR BILL OF MATERIALS
 SERVICE IS 3 WIRE DELTA*, WITH VT'S 480



3 WIRE DELTA
 DIAGRAM 12A

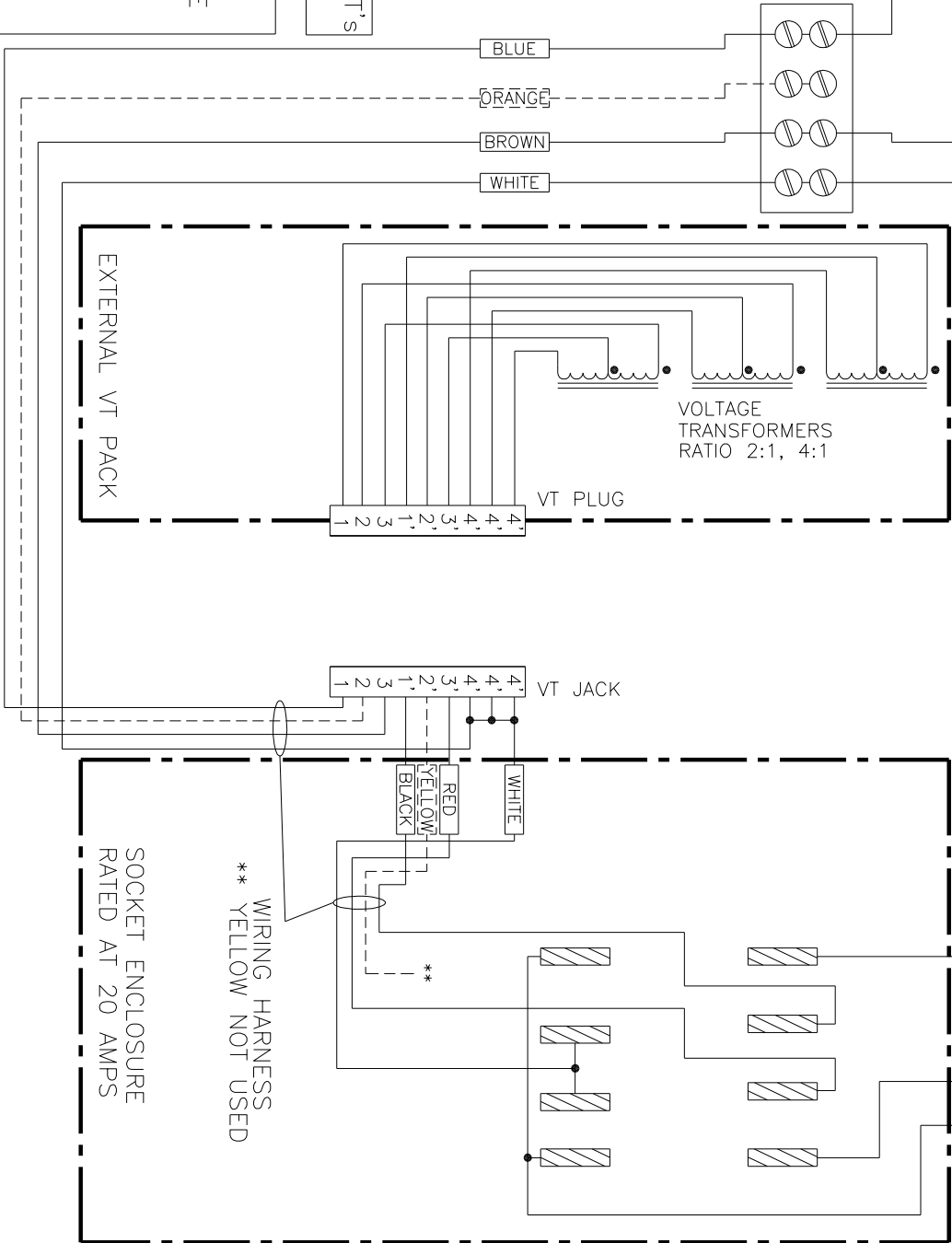
DIAGRAM 12A REV. 8.03
 TWO SOCKETS—TWO METERS, INC.
 CLASS 20 FORM 9S WIDE VOLTAGE
 RANGE ELECTRONIC METER
 REV. 6100
 DRAWN BY: JRS
 CHECKED BY:
 PATENTED

* IF SERVICE HAS A CORNER GROUND, THE GROUNDED CORNER MUST BE THE PHASE WITHOUT THE CURRENT TRANSFORMER.



SERVICE IS 3 WIRE DELTA*, WITH VT'S 480

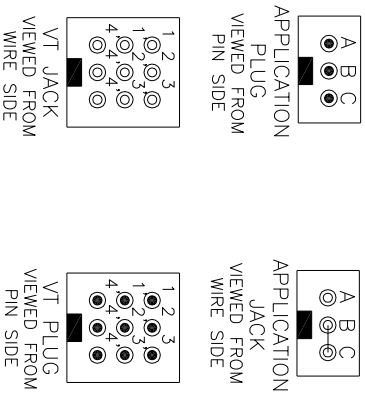
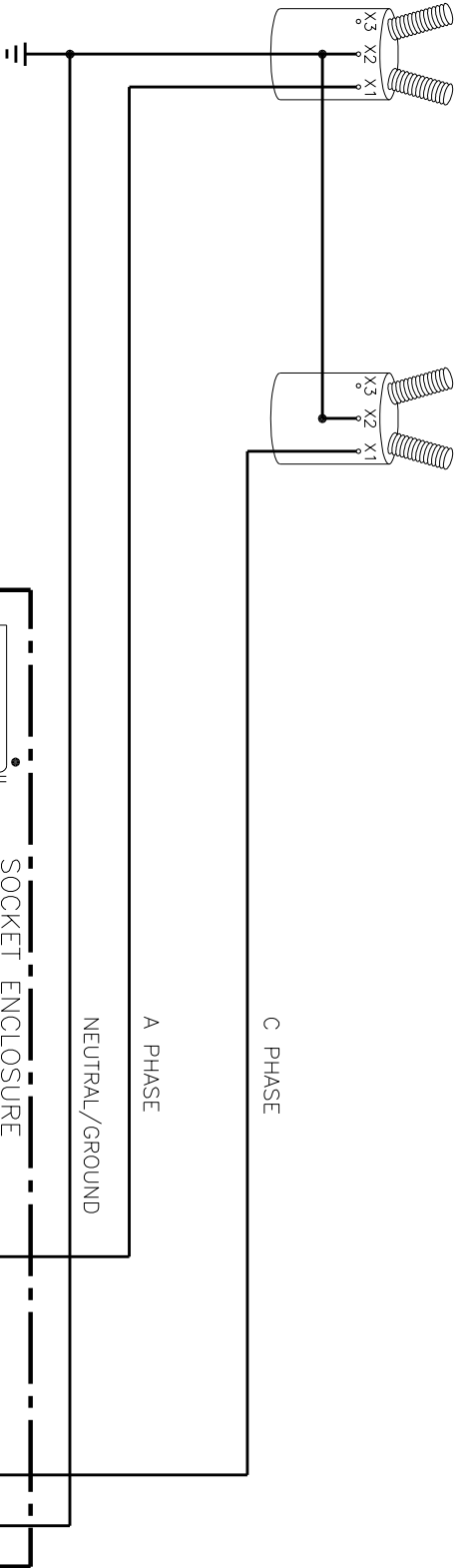
DIAGRAM 12AB5 REV. 8.03S
 TWO SOCKETS-TWO METERS, INC.
 CLASS 20 FORM 5S WIDE VOLTAGE
 RANGE ELECTRONIC METER
 REV. 1607
 DRAWN BY: JRS
 CHECKED BY:
 MODIFIED 9-10-99 BUTCH AKERS
PATENTED



FORM 455 (5S)
 3 WIRE DELTA
 DIAGRAM 12AB5

** WIRING HARNESS
 ** YELLOW NOT USED

SOCKET ENCLOSURE
 RATED AT 20 AMPS

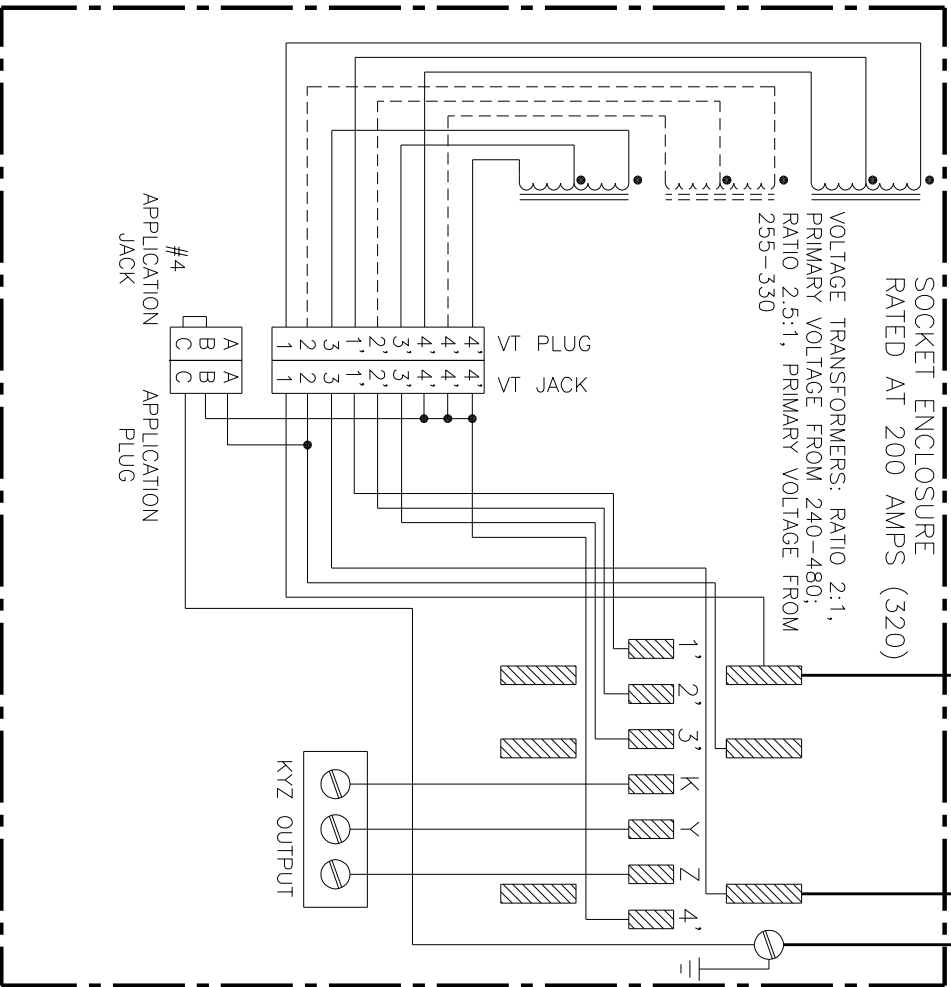


SEE PAGE 1 FOR BILL OF MATERIALS
 SERVICE IS 3 WIRE NETWORK, WITH
 VT's, 480/277; 416/240

DIAGRAM 15 REV. 8.01
 TWO SOCKETS—TWO METERS, INC.
 CLASS 200 (320) FORM 9S
 WIDE VOLTAGE RANGE ELECTRONIC
 METER

REV. 7899
 DRAWN BY: JRS
 CHECKED BY:

PATENTED



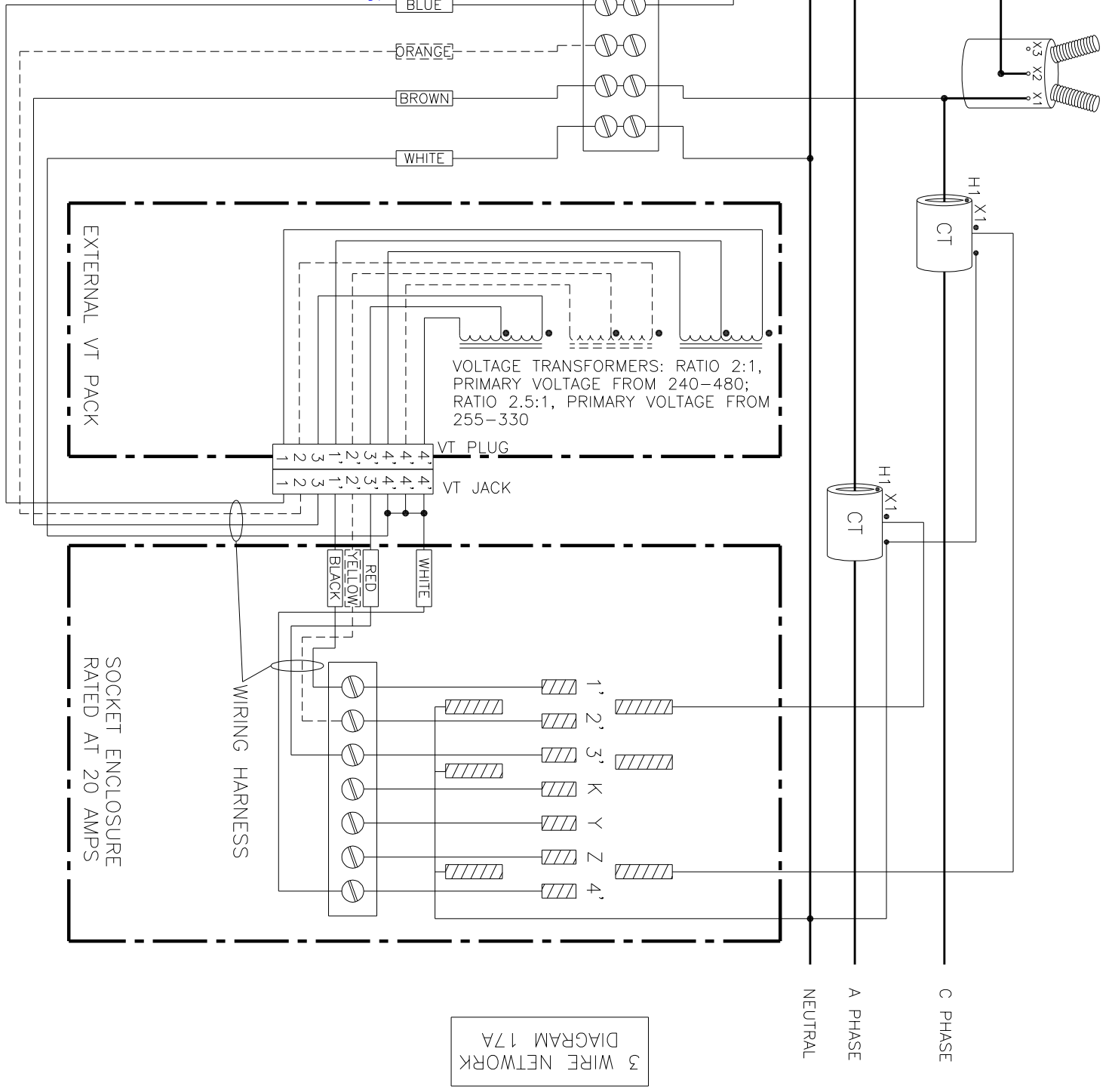
3 WIRE NETWORK
 DIAGRAM 15

LOAD SIDE CONDUCTORS OMITTED FOR CLARITY

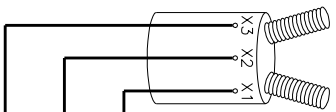
DIAGRAM 17A REV. 8.03
 TWO SOCKETS-TWO METERS, INC.
 CLASS 20 FORM 9S WIDE VOLTAGE
 RANGE ELECTRONIC METER
 REV. 6100
 DRAWN BY: JRS
 CHECKED BY:

PATENTED

SEE PAGE 1 FOR BILL OF MATERIALS
 SERVICE IS 3 WIRE NETWORK, WITH
 VT's 480/277; 416/240

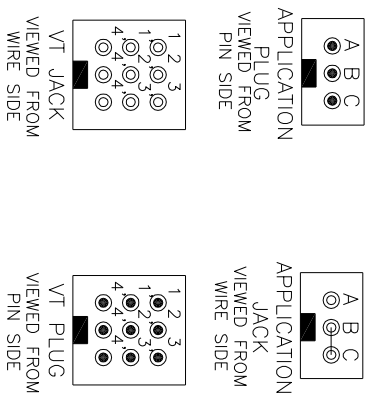


3 WIRE NETWORK
 DIAGRAM 17A



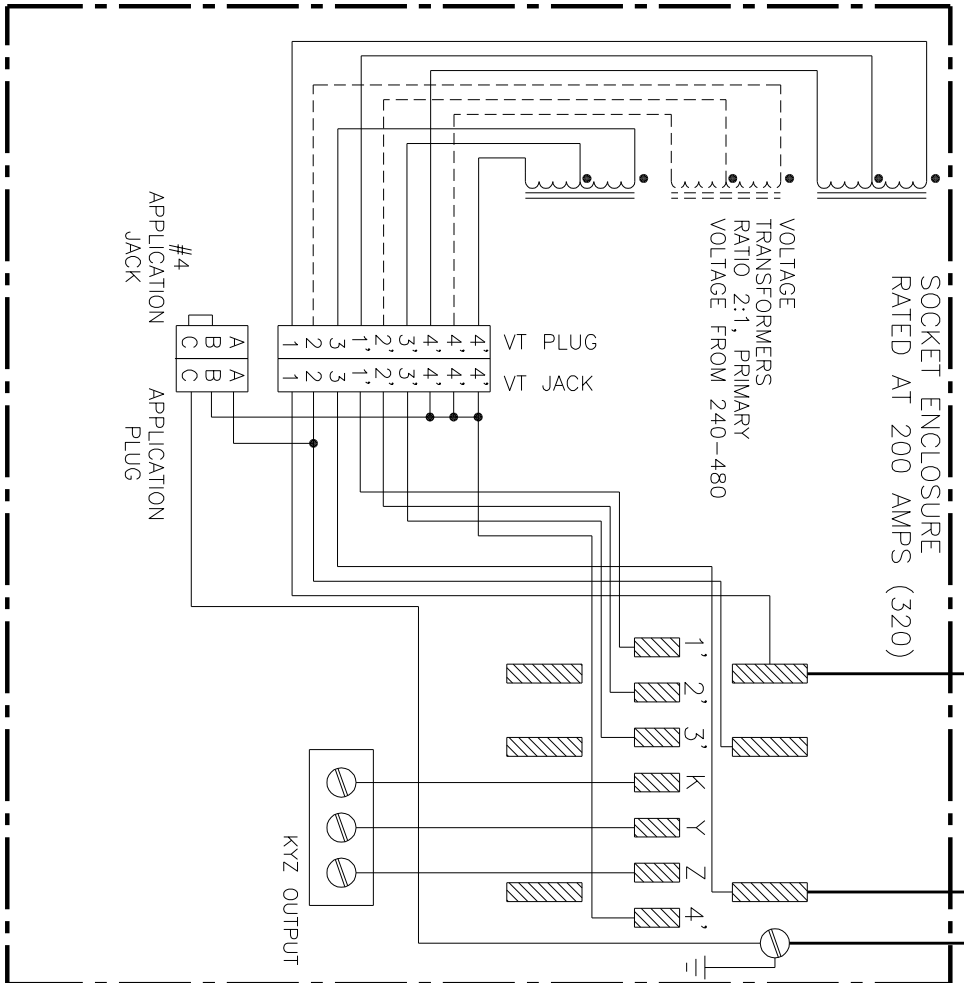
B PHASE
NEUTRAL/GROUND
A PHASE

3 WIRE, 1 PHASE
DIAGRAM 20



SEE PAGE 1 FOR BILL OF MATERIALS
SERVICE IS 3 WIRE 1 ϕ , WITH VT'S
480/240

DIAGRAM 20 REV. 8.03
TWO SOCKETS-TWO METERS, INC.
CLASS 200 (320) FORM 9S
WIDE VOLTAGE RANGE ELECTRONIC
METER
REV. 1607
DRAWN BY: JRS
CHECKED BY:
PATENTED



LOAD SIDE CONDUCTORS OMITTED FOR CLARITY

TWO SOCKETS-TWO METERS, INC.

VT PACK RATIO 2:1

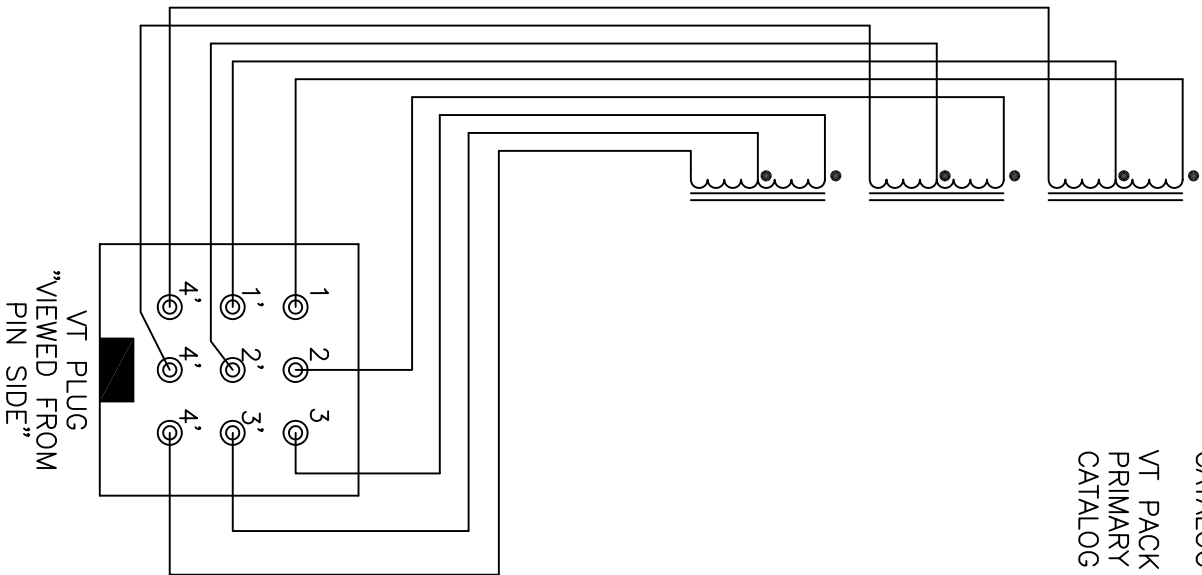
PRIMARY VOLTAGE 240-480

CATALOG NUMBER 6004824

VT PACK RATIO 2.5:1

PRIMARY VOLTAGE 255-330

CATALOG NUMBER 6003012



WHITE A-B-C PHASE H2/X2

YELLOW B PHASE X1

BLACK A PHASE X1

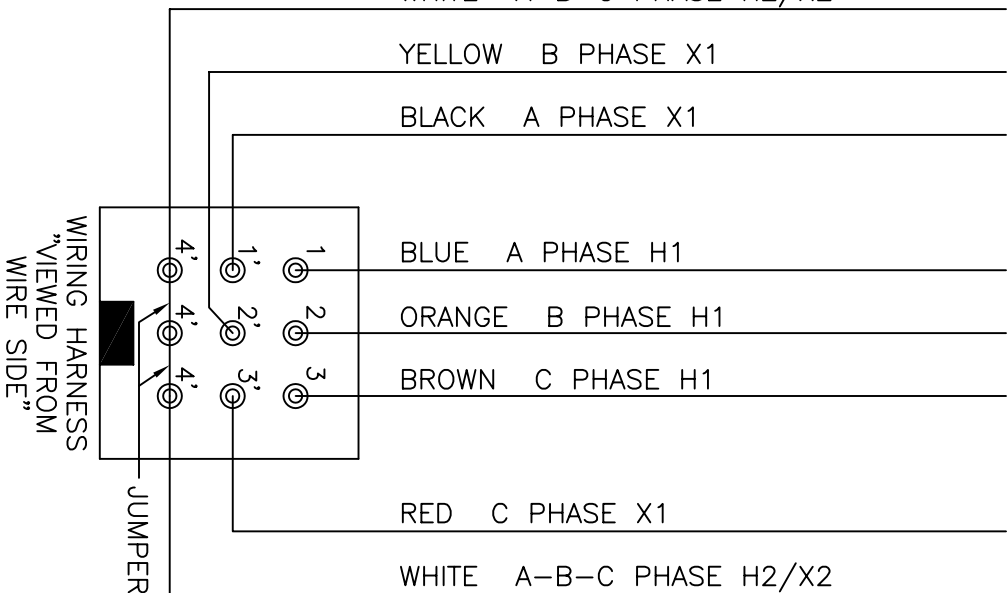
BLUE A PHASE H1

ORANGE B PHASE H1

BROWN C PHASE H1

RED C PHASE X1

WHITE A-B-C PHASE H2/X2



AUXILIARY POWER HARNESS
FOR 480 VOLT 3 WIRE DELTA
APPLICATIONS

