

4

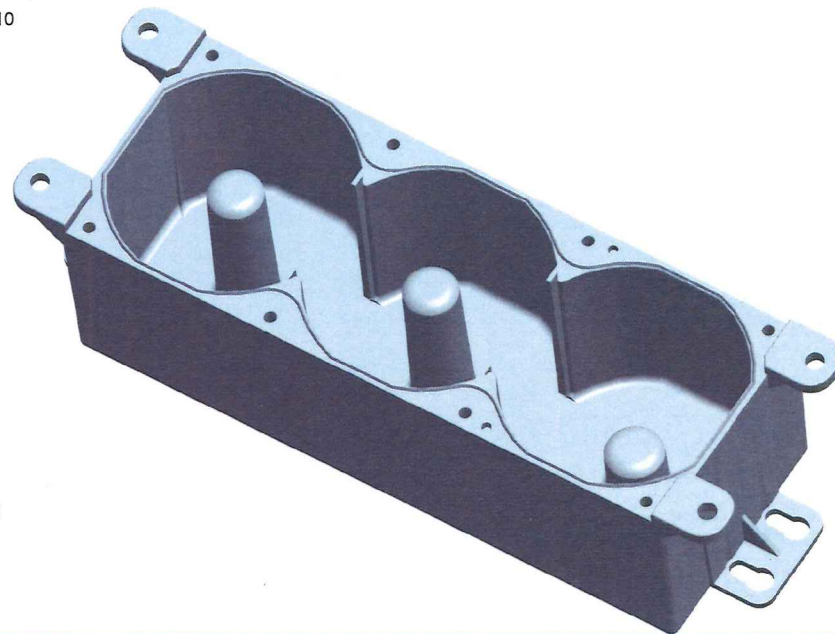
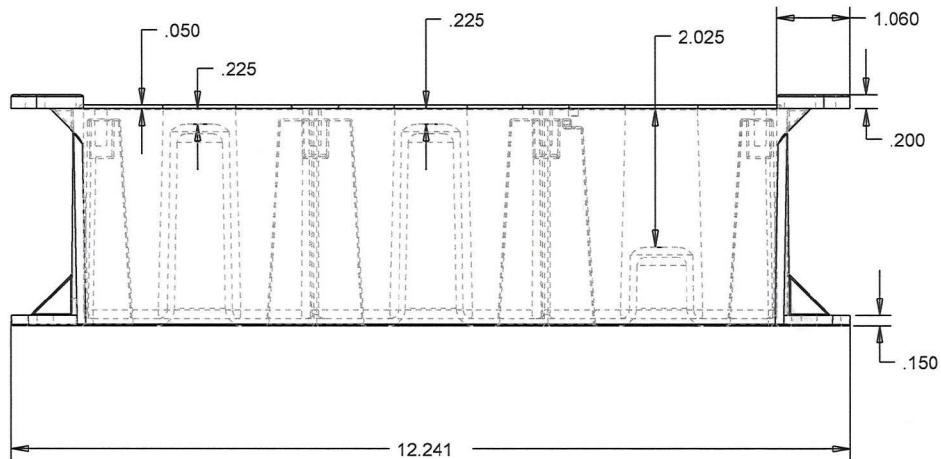
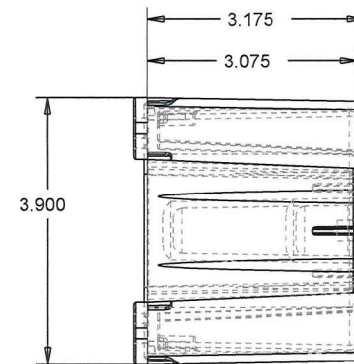
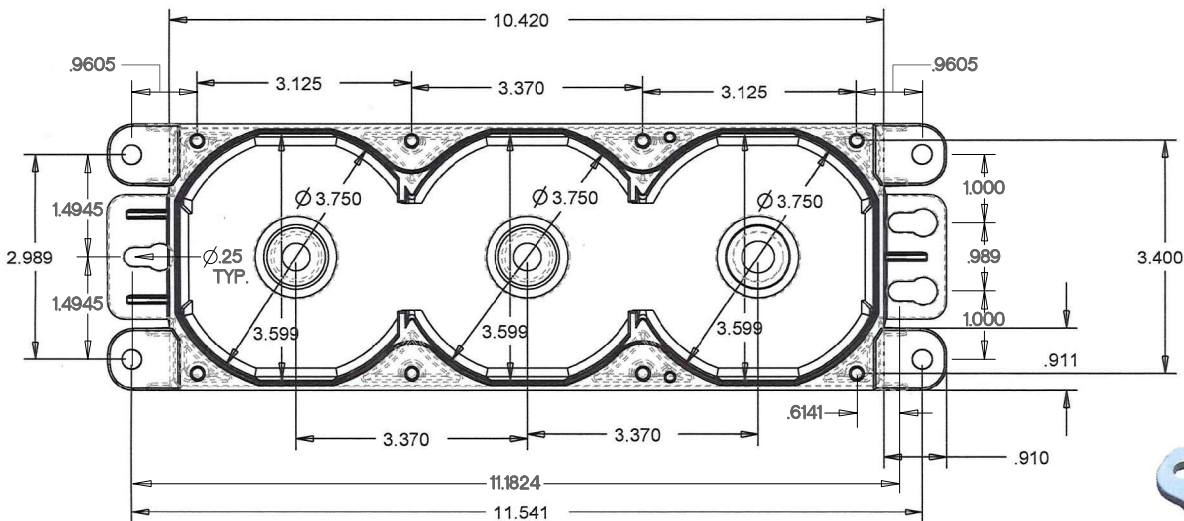
3

2

1

NOTES: (Unless otherwise specified)

revisions					
rev	eco	description	location	date	approved




D

C

B

A

Tolerances
(unless otherwise indicated)
2 place decimals: ± .020
3 place decimals: ± .005
angles: ± 1.0°

 <small>2303 120th Street Lubbock, Texas 79423 Phone: (806) 745-6454 Fax: (806) 745-9441</small>	client: TSTM	
	title: VT-001-1	
drawn	dwg no.	rev.
engineer	scale:	size C
checked	date	sheet 1 of 1